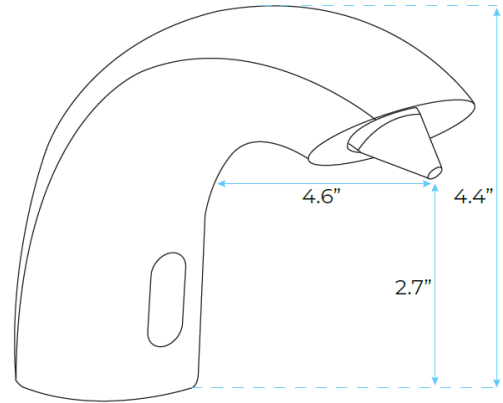


NAPOLI COMMERCIAL ELECTRONIC SENSOR SOAP DISPENSER IN SATIN NICKEL FINISH SPECS



SPECS :

Product Type: Commercial
 Main Construction Material: Brass
 Mount Type: Deck
 Handle Type: Infra-Red
 Power Rating: 3 Amp Fuse, AC: 230V
 DC: 1.5V
 Batteries Required: 4 AA Batteries (not supplied)
 Number of Tap Holes: 1
 Valve/Cartridge Type: Solenoid Valve
 Plumbing System Requirements: Suitable for all plumbing systems
 Sensing Range: 0 - 8cm
 Activation Time: 0.5 - 1 secs
 Viscosity of Liquid Soap: 100-3500cp (mpA .s)
 Isolation Included: NO

